

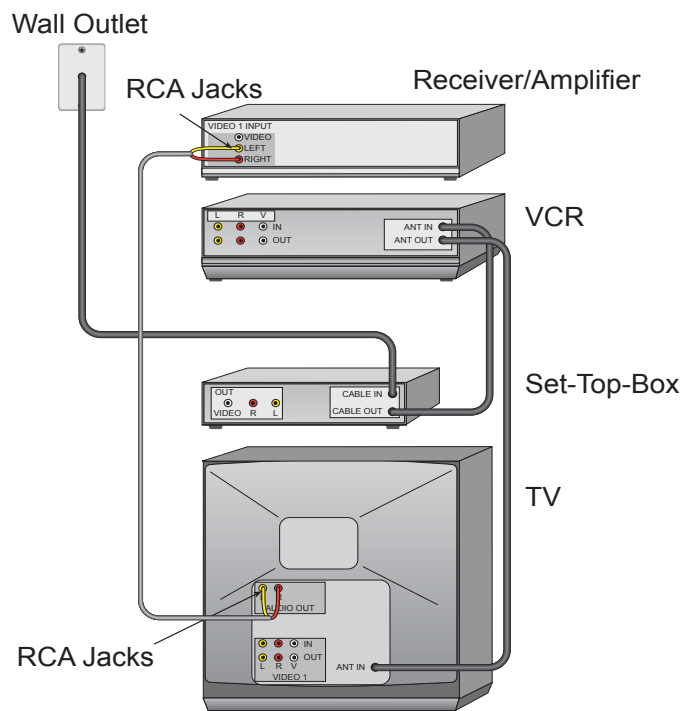
SURROUND SOUND AND HOME THEATER CONFIGURATIONS

Surround Sound

Surround Sound will allow you to enhance the viewing of appropriately formatted television signals by connecting the audio out jacks to a receiver/amplifier capable of surround sound.

Hookup Overview

- The signal from the wall plate is connected to the set-top box's input. The RF output of the set-top box is connected to the ANT/Cable input of the VCR.
- The signal from the VCR's RF output is connected to the TV Ant/CATV input of the TV set.
- The TV's left and right audio channel outputs are connected to the surround sound receiver via two sets of audio wires. These have RCA connectors on each end



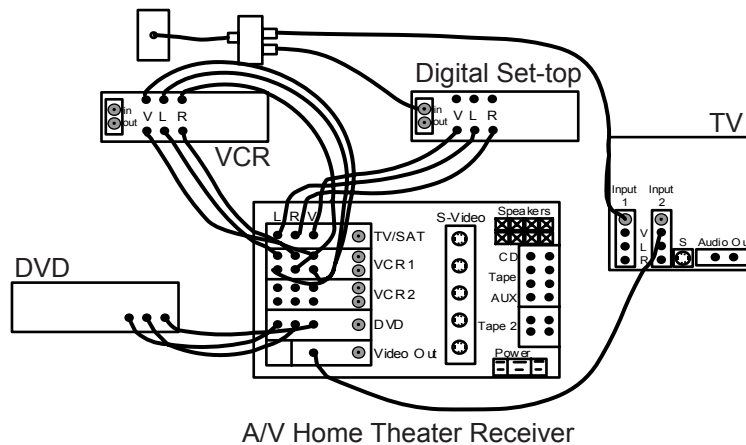
Hookup 11 (Surround Sound)

Home Theater

Hookups with a Home Theater A/V Receiver can be the most complex, but knowing what to look for is the key. Every home theater system will be a little different, but the basic connections and components are similar. This type of a hookup is also referred to as the star pattern, because all the components connect into one central component, the A/V receiver.

Hookup Overview

- Signal in from the wall plate is split (for PIP) at the 2-way splitter. One output goes directly to the TV and the second output goes to the input of the Digital Set-Top box.
- All the other component outputs connect directly to the A/V receiver and the A/V receiver has one output to the TV. Audio signals are processed by the A/V receiver and sent directly to the home theater speakers.
- You will control all video and audio information with the A/V receiver remote control (the digital set-top remote may also have to be used to control the set-top box).



Hookup 12 (A/V Receiver)

